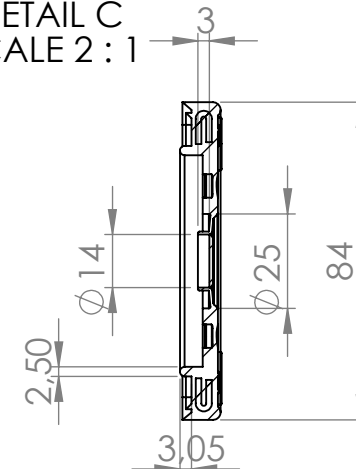


SECTION B-B

DETAIL C
SCALE 2 : 1



SECTION A-A

**SOLIDWORKS Student Edition.
For Academic Use Only.**

Scale: 1:1	HTKC-50	
	Ht Hitech Polymers Oy	
H.Jussila	Pvm: 24.9.15	
Pvm: 24.9.15	Piir.No:08072015	Rev. A
Cm3: 94,9		